



GAS STOVES

REGENCY-FIRE.COM





RC500E shown in black cast with volcanic stones and rear venting (unit shown without mandatory safety screen).

CONTURA™ | RC500E *Medium Gas Stove*

3-SIDED GAS STOVE

With clean lines, three-sided viewing and a large door, the RC500E gives a light and modern impression to any home. There is no bad spot to sit while warming up in front of this unit. Available in black or white, you can customize this modern gas stove with a traditional log set or volcanic stones on a bed of large crushed glass crystals. The curved design invites you to enjoy a stunning flame view from three sides. The peek-a-boo side windows offer a glimpse inside to warm your home and your heart.

SPECIFICATIONS	NATURAL GAS	PROPANE
Maximum BTU	23,000	22,000
Turn down to (BTU)	16,000	18,000
Efficiency (steady state)	67.13%	66.85%
EnerGuide rating (Canada only)	60.38%	61.42%



RC500E shown in white cast with glass door & top with traditional logs and top venting (unit shown without mandatory safety screen).

FEATURES

- View the stunning flame from three sides
- Interior lights for added ambiance when the fire is off
- Variable speed blower
- Natural gas
- Safety screen
- Electronic ignition
- Modulating flame adjustment
- Battery back up system keeps the heat on in the event of a power outage
- ProFlame II remote control
- Direct vent
- Reversible flue for top or rear venting

OPTIONS

- Available in black cast or white with glass door & top
- Your choice of crystals, volcanic stones or traditional logs
- Propane conversion kit
- AstroCap™ Venting System
- Vertical or horizontal direct vent terminations



RC500E shown with safety screen



U39E shown with wrap around brushed nickel door, brushed nickel louvers and traditional log set (unit shown without mandatory safety screen).

REGENCY ULTIMATE™ | U38E • U39 • U39E

ULTIMATE GAS STOVES - U38E, U39 & U39E

The clean, modern lines of the Ultimate line of gas stoves provides exceptional views of the fire with the wrap-around design meant to maximize your enjoyment of the flames. Your Ultimate fire can be turned up to the maximum heat setting to provide high efficiency or turned down to maintain ambience with less heat. Warm up your kitchen, bedroom or den as you lower heating bills with the efficient and versatile Ultimate gas stoves.

SPECIFICATIONS (NG)	U38E B-VENT	U39 DIRECT VENT	U39E DIRECT VENT
Maximum BTU	38,000	38,000	38,000
Turn down to (BTU)	26,000	26,000	26,000
Efficiency (steady state)	71.63%	77.61%	77.61%
EnerGuide rating (Canada only)	63.94%	71.45%	73.19%

SPECIFICATIONS (PROPANE)	U38E B-VENT	U39 DIRECT VENT	U39E DIRECT VENT
Maximum BTU	34,000	38,000	38,000
Turn down to (BTU)	27,500	30,000	30,000
Efficiency (steady state)	71.71%	77.97%	77.97%
EnerGuide rating (Canada only)	64.59%	74.31%	75.68%



U38E shown with wrap around black door, black louvers and driftwood log set (unit shown without mandatory safety screen).

FEATURES

- Natural gas
- Safety screen
- Flame height adjustment
- Electronic Ignition (U38E, U39E)
- Millivolt system with proflame remote control (U39)
- Proflame II Remote Control (U38E, U39E)
- B-vent (U38E)
- Direct Vent (U39, U39E)
- Black steel pedestal
- Pedestal side panels
- Variable speed blower
- 1-piece wrap around door in brushed nickel or black
- Battery back up system keeps the heat on in the event of a power outage

OPTIONS

- Choose between natural oak or driftwood logs
- Brushed nickel or black louvers
- Wall thermostat
- BTU reduction kit
- Propane conversion kit
- AstroCap™ Venting System (U39, U39E)
- Vertical or horizontal direct vent terminations (U39, U39E)



U38E shown with safety screen



H27E shown with decorative glass grille in charcoal gray finish.

HAMPTON® | H15E • H27E • H35E

OUTSTANDING FIRE

The Hampton series of gas stoves provides the beautiful look of cast iron stoves with Regency's unmatched fire and log packages. Enjoy the ultimate convenience of a gas fire available at the press of a button with the stunning visual of a realistic flame in a cast iron freestanding stove.

HIGH EFFICIENCY HEAT

Hamptons are designed to deliver adjustable, high efficiency heat. Enjoy simple comfort control with the included Proflame II Remote Control or the added option of a wall thermostat. Available in three sizes, Hampton gas stoves heat your home while saving you money on your heating bill.

SPECIFICATIONS (NG)	H15E SMALL	H27E MEDIUM	H35E LARGE
Maximum BTU	18,000	25,000	30,000
Turn down to (BTU)	12,700	18,000	21,500
Efficiency (steady state)	61.97%	67.63%	75.27%
EnerGuide rating (Canada only)	55.33%	61.22%	70.86%

SPECIFICATIONS (PROPANE)	H15E SMALL	H27E MEDIUM	H35E LARGE
Maximum BTU	18,000	22,000	29,500
Turn down to (BTU)	15,500	17,500	24,000
Efficiency (steady state)	63.69%	66.51%	75.77%
EnerGuide rating (Canada only)	57.46%	63.07%	71.97%



H35E shown with decorative glass grille in timberline brown enamel finish.

FEATURES

- Natural Gas
- Accent light
- ProFlame II remote control (GTMFL)
- Thermostat (built into remote)
- Modulating flame adjustment
- Light
- Safety screen
- Cast grille
- Ceramic glass
- Reversible flue for top or rear venting

OPTIONS

- Charcoal gray, timberline brown enamel finish, cream enamel finish (H15E, H35E)
- Brick panels in red or brown (H35E)
- Variable speed blower
- Wall thermostat
- AstroCap™ vent system (Not available on cream enamel finish)
- Color match vent paint
- Propane conversion kit



H35E in cream enamel finish with decorative glass grille.



H27E in timberline brown enamel finish with decorative glass grille.



H15E in timberline brown enamel finish with decorative glass grille.



H15E in charcoal gray finish with decorative glass grille.



C34 shown with black legs, black door and safety screen.

REGENCY CLASSIC™ | C34

The Regency Classic gas stove provides the traditional look of a wood stove but with the convenience of gas. This stove does not require an existing chimney and can be installed with a direct vent to use outside air for combustion allowing your home to stay warmer. The Classic gas stove, like all Regency gas stoves, operates safely without electricity - keeping you warm with radiant heat.

SPECIFICATIONS (NG)	NATURAL GAS	PROPANE
Maximum BTU	32,000	29,000
Turn down to (BTU)	21,000	23,000
Efficiency (steady state)	71.68%	72.02%
EnerGuide rating (Canada only)	63.49%	64.49%

FEATURES

- Natural gas or propane
- Beautiful fire with glowing logs
- Safety screen
- Flame height adjustment
- Millivolt system with proflame remote control
- Direct Vent
- Convector airmate
- Heavy-duty ceramic safety glass
- Battery back up system keeps the heat on in the event of a power outage

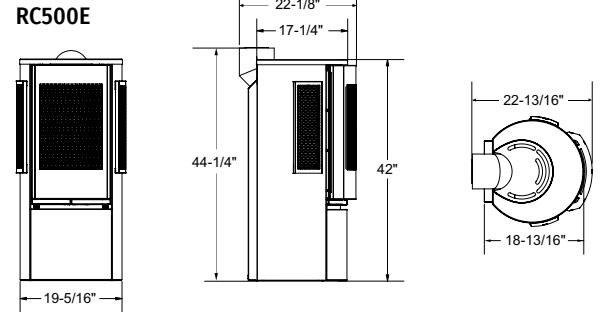
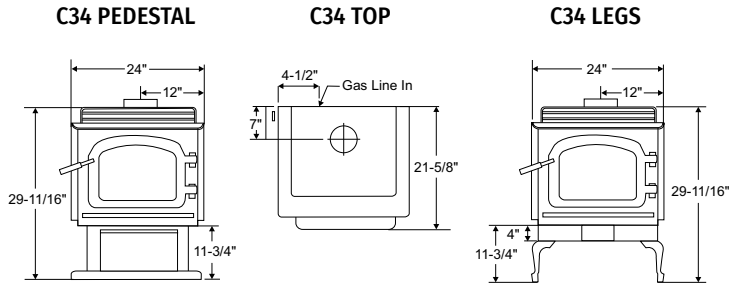
OPTIONS

- Wall thermostat
- Variable speed blower
- Black steel pedestal base
- Cast iron door in black** or nickel accent
- Cast iron legs in brushed nickel or black
- Bottom heat shield (when using legs)
- AstroCap™ Venting System
- Vertical or horizontal direct vent terminations

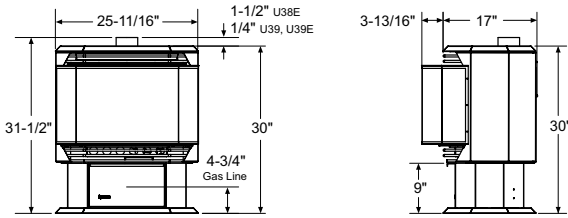
** Black doors come with black wood handles & black hinge caps

SPECIFICATIONS

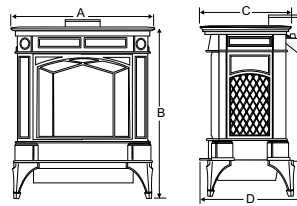
DIMENSIONS



U38E, U39, U39E FRONT & SIDE



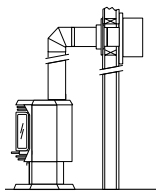
H15E, H27E, H35E FRONT & SIDE



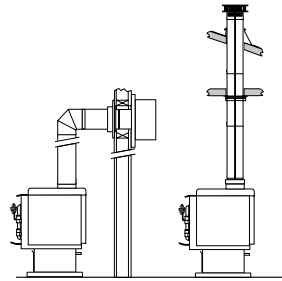
DIMENSIONS	H15E	H27E	H35E
A	20-11/16"	24-9/16"	27-3/8"
B	22-7/8"	27-3/16"	28-1/8"
C	14-1/4"	15-5/8"	21-3/16"
D	17-13/16"	17-13/16"	22-7/8"
Shipping Weight	198 lbs	227 lbs	322 lbs

VENTING OPTIONS

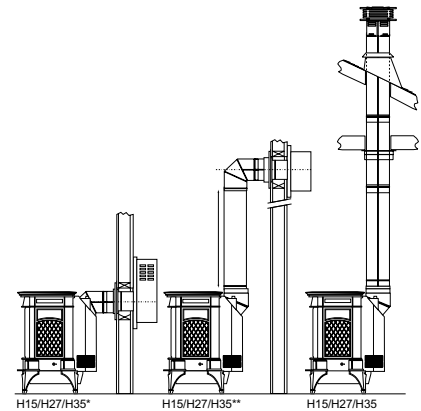
U39, U39E



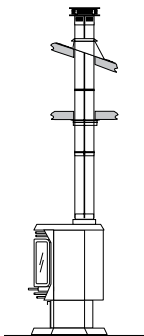
C34



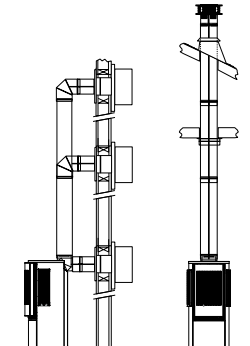
H15E, H27E, H35E



U38E, U39 & U39E



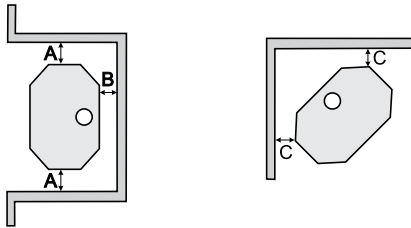
RC500E



* The H15E can be vented horizontally with the AstroCap™ system.
 For rear vent applications, H27E and H35E require a riser vent.
 ** H35E requires minimum 1 ft. rise.

CLEARANCES

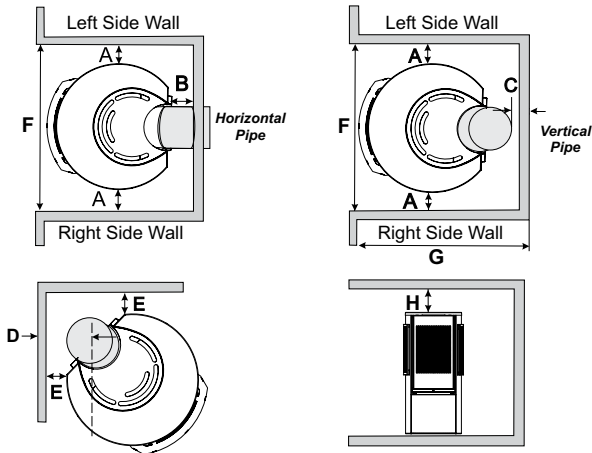
CLEARANCES TO COMBUSTIBLES - U38E, U39, U39E, C34



CLEARANCES TO COMBUSTIBLES	U38E B-VENT	U39, U39E DV TOP	C34 DV
A - Side Wall To Unit	7-1/2"	7-1/2"	10"
B - Back Wall To Unit	6"	6"	6"
C (corner) - Side Wall to Unit	2"	2"	1-1/2"

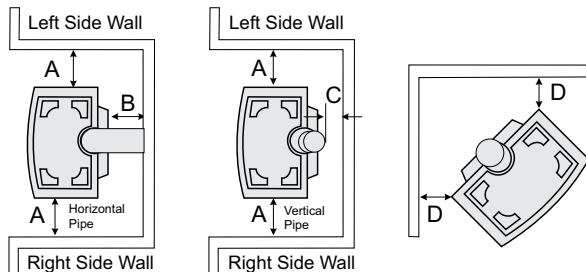
B - Rear wall clearance is a temperature issue and necessary for drafting purposes. Do not reduce clearance under any circumstances.*

CLEARANCES - RC500E



CLEARANCES		
A	Left/Right Side Wall to Unit	9"
B	Back Wall to Unit	2"
C	Vertical Vent Pipe to Back Wall	2"
D	Wall to Centerline of Pipe	8-3/4"
E	Unit Corner to Wall (Top Vent)	4"
	Unit Corner to Wall (Rear Vent)	5-3/4"
F	Alcove Width	50"
G	Alcove Depth	36"
H	Minimum Ceiling from Top of Unit	15"

CLEARANCES - H15E, H27E, H35E



CLEARANCES TO COMBUSTIBLES	H15E	H27E	H35E
A - Side Wall To Unit	6"	6"	6-1/2"
B - Back Wall To Unit	0"*	3"	6"
C - Vertical Vent to Back Wall	2"	2"	2"
D - Side Wall To Unit (Corner)	2"	2"	2"

Minimum clearance of vent terminal to outside corner and inside corner: AstroCap™ 6", Dura-Vent Cap 12".

**It is recommended that the unit is moved away from wall, if installing the blower option so the fan can be easily installed/serviced.*

DIRECT VENT TECHNOLOGY



Direct vent technology allows you to install a Regency stove almost anywhere in your home - no chimney is needed. From the top of the unit, simply vent your stove through an exterior wall. Direct vent units have a sealed combustion chamber; outside air is used for the combustion resulting in a warmer home and improved indoor air quality.

COMFORT CONTROLS



Turn your fire on and off with a Proflame remote control. The Proflame can be used as a thermostat, allowing you to set and automatically maintain a desired temperature no matter where in the room you are sitting. *(Image shown with proflame II remote in black)*



A Regency wall thermostat is a hands free solution that helps you maintain a constant temperature in your home. Choose the programmable wall thermostat and set different temperatures throughout the day to match your lifestyle. Wake up to warmth!

ENJOY YOUR REGENCY — FOR LIFE

You'll be happy with your Regency for years to come, our Limited Lifetime Warranty guarantees it. Not only have we invested in quality workmanship, the finest materials and durable heavy-duty construction but we have carefully selected a dealer network that is committed to your satisfaction. We know that you will be as proud of your Regency as we are.

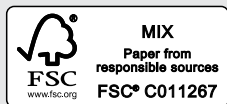
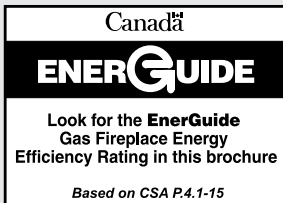


H35E shown with decorative glass grille in charcoal grey enamel finish.



regency-fire.com

Your Regency Dealer



©2019 FPI Fireplace Products International Ltd. Regency®, Regency Ultimate™, Regency Classic™, Hampton®, Contura™ and AstroCap® are the registered and/or proprietary trademarks of FPI Fireplace Products International Ltd.
Printed in Canada (07/19)
Part no. 944-220